


# TOP FRAME FRAME – FORTRESS ASSEMBLY

Product Code: 50201780

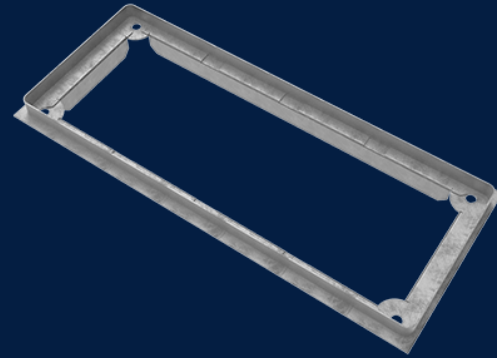


Cover Frame, Stakkabox Fortress

 MATERIAL  
Galvanised Mild Steel (GMS)

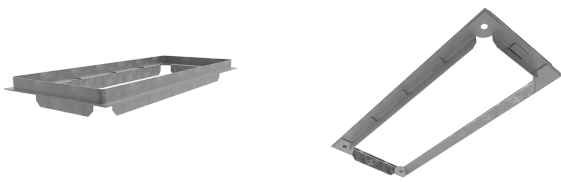
 SIZE  
1352mm (L) x 575mm (W) x 127mm (D)

 LOAD RATING  
B



## Features & benefits

## Full specifications



Contact Us

Email: [sales@cubis-systems.com.au](mailto:sales@cubis-systems.com.au)

Phone: 1800 665 356