

P6/8 FORTRESS CONCRETE SURROUND KIT

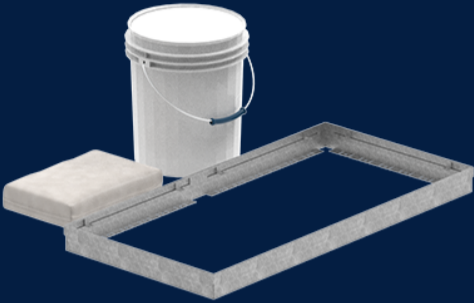
Product Code: 50201796



 MATERIAL
Precast Concrete

 SIZE
1580mm (L) x 1250mm (W) x 1070mm (D)

 LOAD RATING
A



Features & benefits

Full specifications

Contact Us

Email: sales@cubis-systems.com.au

Phone: 1800 665 356