

SLEEPER COLLAR 1400MM TO SUIT 4 PART – PART B

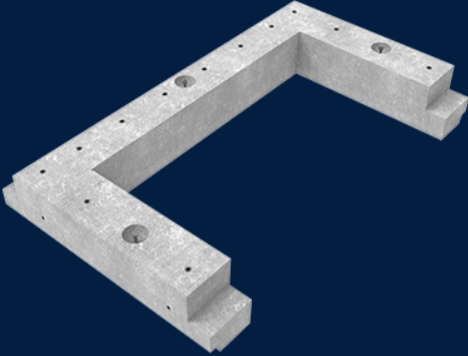
Product Code: 50204909



 MATERIAL
Precast Concrete

 SIZE
1400mm (L) x 875mm (W) x 200mm (D)

 LOAD RATING
A



Features & benefits

[Full specifications](#)



Contact Us

Email: sales@cubis-systems.com.au

Phone: 1800 665 356