

MULTIDUCT™ 6 WAY 22.5 BEND VERTICAL

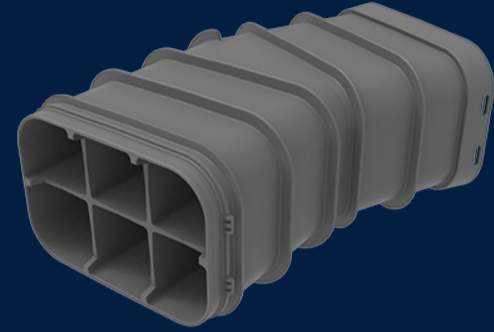
Product Code: 50201751

MULTIduct™ is a durable, lightweight and structural multiple duct cable protection system offering a modern alternative to traditional cable ducting systems. 22.5 degree bend allows the duct to change direction horizontally without needing a pit.

 MATERIAL
High Density Polyethylene (HDPE)

 SIZE
663mm (L) x 359mm (W) x 255mm (D)

 LOAD RATING
B



Features & benefits

Lightweight HDPE

Can be transported by a ute and assembled by a single person without the need of heavy lifting machinery.

Quick assembly

Each unit can be installed in under one minute

Application

Six slots for six applications



Full specifications

Material	Manufactured from high density polyethylene (HDPE), MULTIduct™ offers a lightweight, high strength to weight unit. With parts weighing below 20kg MULTIduct™ offers significant health and safety advantages permitting a single person lift and install.
Load Rating	Infrastructure Products Australia' MULTIduct™ manufactured to a Class B load rating (ultimate limit state design load of 10kN) under the Australian Standard AS/NZ 3996
How it works	Interlocking male and female clips make installation process seem like a puzzle. Installation is as easy as lining the clips together and clicking the duct into place. Interior of the ducts is seamless and eliminates disengagement during cable pulling.

Contact Us

Email: sales@cubis-systems.com.au

Phone: 1800 665 356