


STAKKABOX™ ULTIMA CONNECT CORNER RIGHT 400MM


Product Code: 50201117

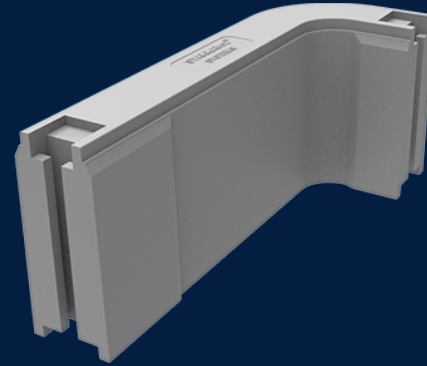


The next generation in access pit systems. A modular, scalable solution built on-site with easily connectable components significantly reduces costs of in-situ construction through time-saving.

 MATERIAL
Glass-Reinforced Plastic (GRP)

 SIZE
(L) x (W) x 400mm (D)

 LOAD RATING
D



Features & benefits

Flat Pack Option

STAKKABOX™ ULTIMA can be shipped 'flat packed' to reduce shipping costs. A large pit, as used on power stations or waste water treatment works, could be reduced to a number of pallets rather than occupying an entire truck.

Flexibility in Construction

Duct entries can be quickly and safely formed on site. Overbuilding or benching is easily achieved. Fine top level adjustment is possible by horizontally cutting the top section.

Fast and Easy to Install

ULTIMA Connect pits are significantly faster to install than conventional alternatives, with complete installations typically taking up to one hour. This results in reduced costs for the installer. Only the largest sizes in the range require specialist equipment or plant in order to install the pit.



Full specifications

Material	Glass-reinforced plastic (GRP), is a composite material, fibre-reinforced polymer made of a plastic reinforced by fine fibres made of glass. GRP has a high strength to weight ratio, high temperature range, high mechanical properties and is fire retardant. Additionally, GRP is also chemically inert and isn't susceptible to creep.
Australian Standards	AS/NZ 3996
How it works	ULTIMA Connect corner pieces are manufactured in left and right 'handed' designs, which offer the ability to offset joints between sections in order to provide a brickworked design. This offers strong sidewall performance to the installed pit.

Contact Us

Email: sales@cubis-systems.com.au

Phone: 1800 665 356