

# HS5 FRAME AND SURROUND KIT – WITHOUT PART A AND PART B

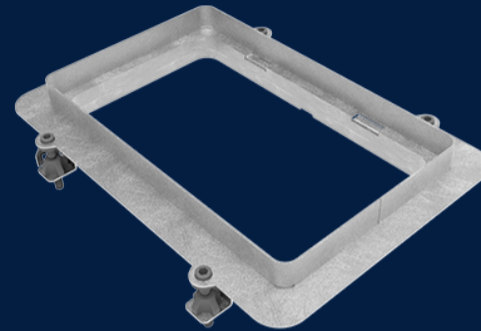
Product Code: 50203570

HS5 frame and surround kit are suited for the HS5 pit, HS5 being the smallest option from the high strength range. It was designed for ease of transportation, quick assembly and ground-level adjustability. The unique features allow the HS5 frame to be adjusted to suit the surrounding environment and simplify the installation process.

 MATERIAL  
Galvanised Mild Steel (GMS)

 SIZE  
760mm (L) x 530mm (W) x 106mm (D)

 LOAD RATING  
B



## Features & benefits

### Adjustable frame

The supporting composite cover frame can be adjusted up to 4 degrees to suit the ground level.

### Lightweight parts

Can be transported by a ute and assembled by a single person without the need of heavy lifting machinery.

### Quick assembly

Can be completed start to finish within less than hour.



## Full specifications

Material	Galvanised Mild Steel (GMS)
How it works	HS5 supporting kit and frame can be adjusted up to 4 degrees to suit the ground level. HS pits are designed for brownfield application to simplify replacing pits with existing wires without compromising the strength of the pit.