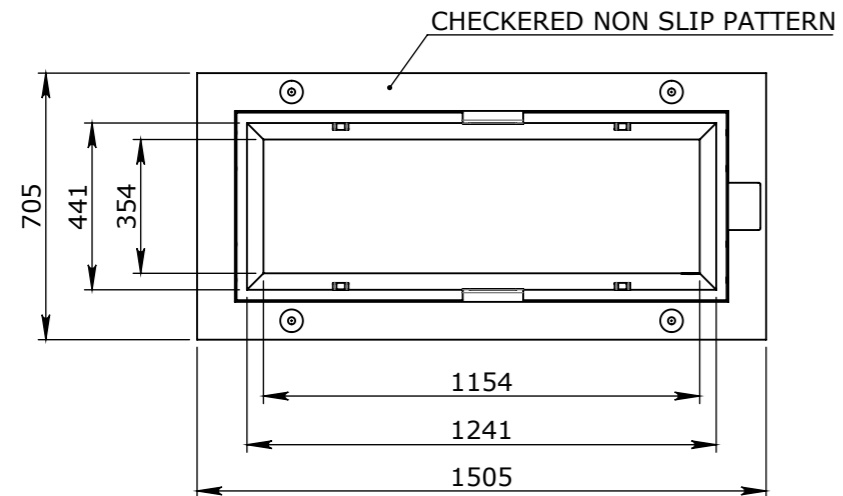
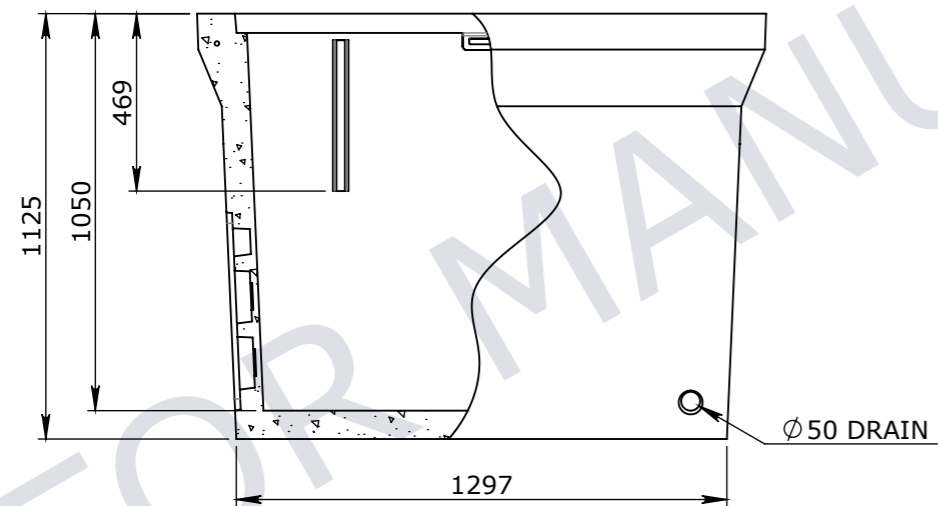


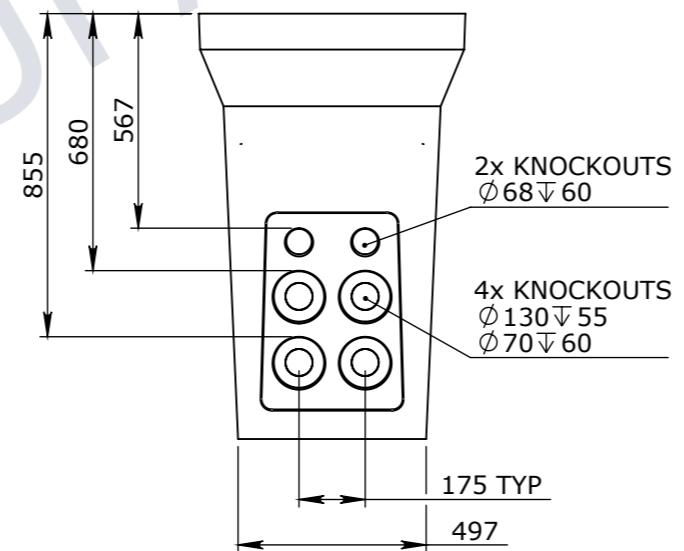
- CONCRETE NOTE:**
1. REFER TO GENERAL TOLERANCES UNO
 2. GRADE OF CONCRETE - 40MPa
 3. ALL LIFTING POINTS TO BE USED WHEN LIFTING
 4. MINIMUM STRENGTH OF CONCRETE SHALL BE 25MPa AT THE TIME OF LIFTING
 5. REFER TO PRECAST CONCRETE INSTALLATION GUIDE V.1 2019 FOR INSTALLATION DETAILS
 6. REFER TO ANCON LIFTING ARRANGEMENT PLAN



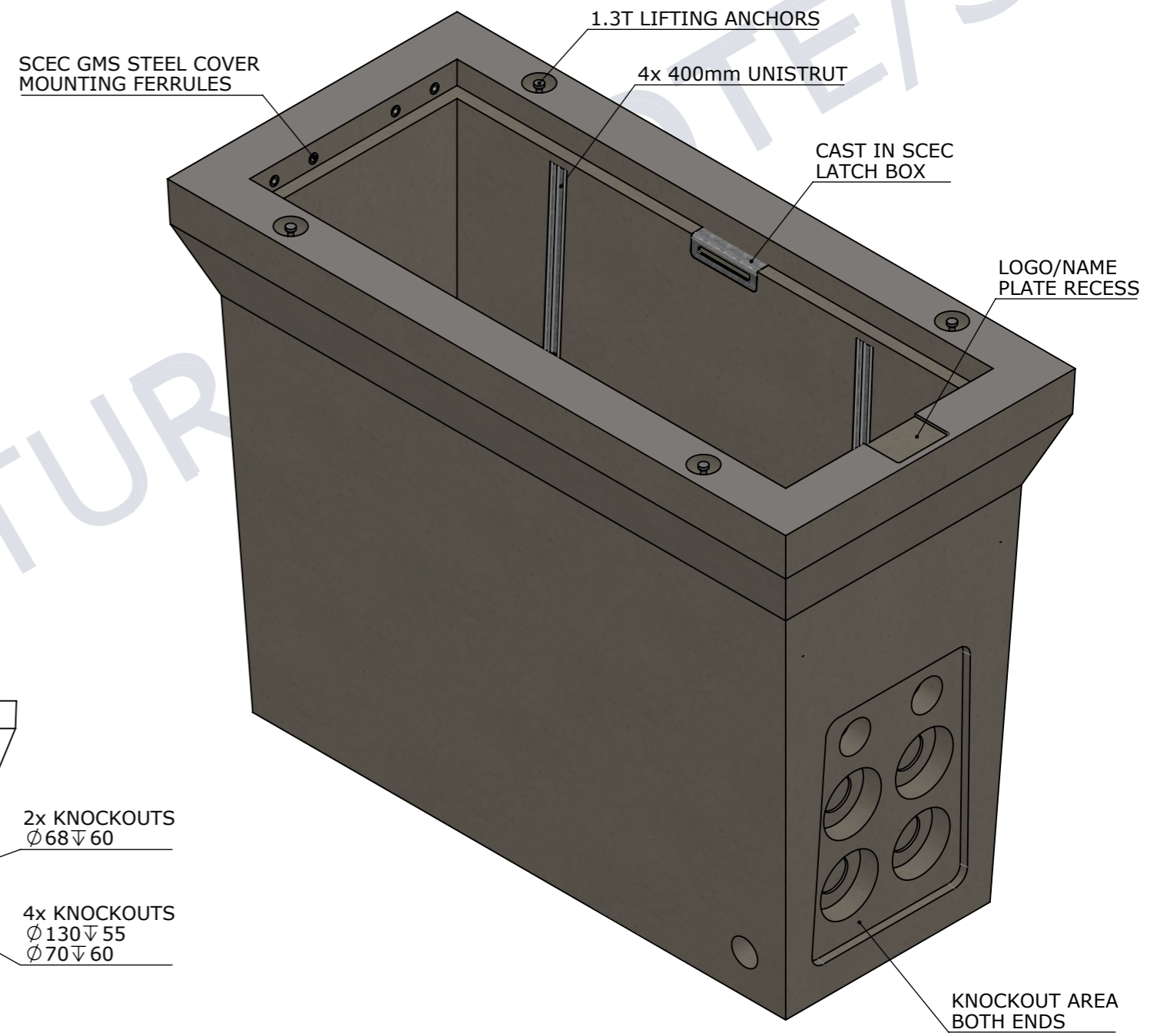
PLAN VIEW



ELEVATION VIEW



END VIEW



ISOMETRIC VIEW
SCALE 1:10

UNCONTROLLED DOCUMENT WHEN PRINTED

- TOLERANCE NOTES:**
1. CONCRETE TOLERANCES TO BE IN CONJUNCTION / ACCORDANCE WITH AS3600 - CONCRETE STRUCTURES
 2. WHEN A BROOM FINISH IS REQUIRED THE GENERAL TOLERANCE SUPERCEDES THE FLATNESS TOLERANCE
 3. WALL THICKNESS - DIMENSION AS NOTED IS MINIMUM THICKNESS ONLY
 4. CONCRETE GRADE - 40MPa UNLESS NOTED OTHERWISE
 5. DIMENSIONS ARE NOT INCLUSIVE OF SEALANTS OF JOINTS
 6. SURFACE FINISH - CLASS 4 (AS3610.1)

Rev	DESCRIPTION	DATE	BY	APPROVED
3				
2	INCREASED INTERNAL HEIGHT TO 1050mm	15/08/22	PA	
1				

GENERAL TOLERANCES		REVISION CONTROL	
NOMINAL:	UP TO 1000mm	1M AND ABOVE	FLATNESS: (NOT INCLUDING BROOME FINISH)
TOLERANCE:	±5mm	1mm IN 200mm UP TO A MAXIMUM OF 20mm	±4mm PER 1M WIDTH IN 1M LENGTH

CHK / APPR: Abeyasingh	Infrastructure Products Australia A CRH COMPANY HEAD OFFICE: 1 REEVES COURT BREAKWATER, VIC 3219 1800 065 356 ENGINEERING & DEVELOPMENT: 91 STRADBROKE STREET HEATHWOOD, QLD 4110 (07) 3714 0444
DRAWN BY: Chanaka	
DATE: 13-01-2020	
RPEQ DOCUMENT #:	
WEIGHT: 850Kg	
MATERIAL: CONCRETE FIBRE 40MPa	
IRF REF:	

DRAFTED DATE: 28/05/2019	PART/PRODUCT # 50201060	QUOTE #	ORDER #
DRAFTED BY: P.ADAMS	REINFORCEMENT COMPUTATION	PIT #	ITEM TYPE
DATE LAST SAVED: 30/08/2022	CLIENT CUBIS SYSTEMS AUSTRALIA	PROJECT DESC BELLTOP 8 PIT	
LAST SAVED BY: CABEYSINGH	DRAWING NAME PIT CONCRETE BELLTOP 8 CLASS D - SL1	DRAWING # 50201060	REV. 2
DRAWN TO AS 1100 DO NOT SCALE FROM SHEET	PAGE 1 / 1	SHEET SIZE A3	SCALE 1:20