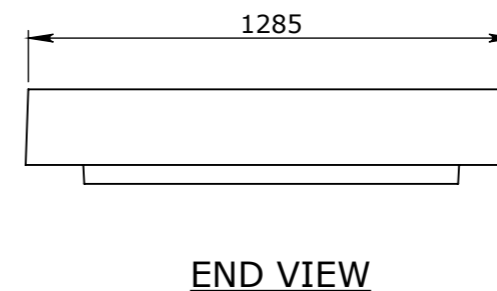
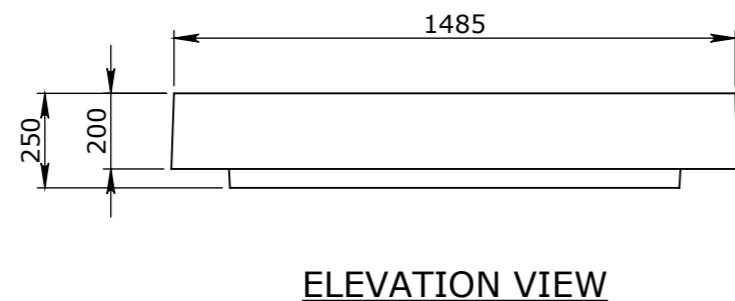
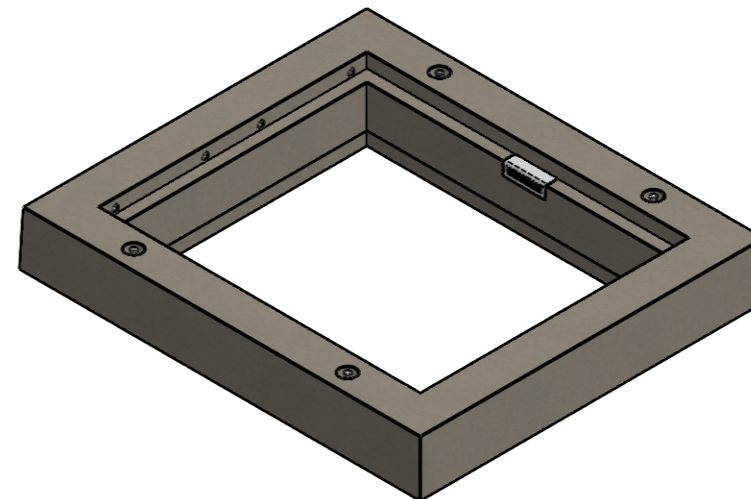
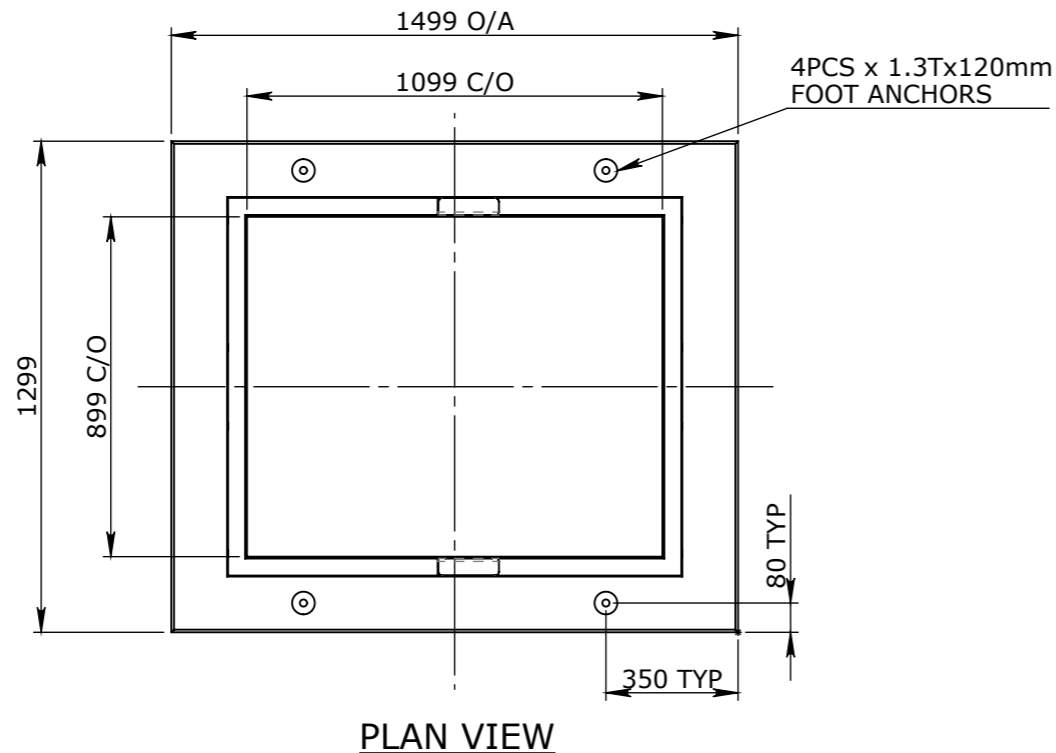


**CONCRETE PRODUCT NOTE:**

1. REFER TO GENERAL TOLERANCES UNO
2. GRADE OF CONCRETE - 40MPA CONCRETE
3. ALL LIFTING POINTS TO BE USED WHEN LIFTING
4. MINIMUM STRENGTH OF CONCRETE SHALL BE 25MPA AT THE TIME OF LIFTING
5. COVER TO REINFORCEMENT TO BE 50mm
6. REFER TO ANCON LIFTING ARRANGEMENT PLAN
7. CONCRETE VOLUME (M<sup>3</sup>) = [0.18]



UNCONTROLLED DOCUMENT WHEN PRINTED

**TOLERANCE NOTES:**

1. CONCRETE TOLERANCES TO BE IN CONJUNCTION / ACCORDANCE WITH AS3600 - CONCRETE STRUCTURES
2. WHEN A BROOM FINISH IS REQUIRED THE GENERAL TOLERANCE SUPERCEDES THE FLATNESS TOLERANCE
3. WALL THICKNESS - DIMENSION AS NOTED IS MINIMUM THICKNESS ONLY
4. CONCRETE GRADE - 40MPA UNLESS NOTED OTHERWISE
5. DIMENSIONS ARE NOT INCLUSIVE OF SEALANTS OF JOINTS
6. SURFACE FINISH - CLASS 4 (AS3610.1)

Rev	DESCRIPTION	DATE	BY	APPROVED
2	ECO0189 CHANGED ANCHOR SIZE	260624	ML	CA

GENERAL TOLERANCES		REVISION CONTROL	
NOMINAL:	UP TO 1000mm	1M AND ABOVE	FLATNESS: (NOT INCLUDING BROOME FINISH)
TOLERANCE:	±5mm	1mm IN 200mm UP TO A MAXIMUM OF 20mm	±4mm PER 1M WIDTH IN 1M LENGTH

CHK / APPR: Lee, Mia	WEIGHT: 460Kg
DATE:	MATERIAL: 40MPA CONCRETE
RPEQ DOCUMENT #:	IRF REF:

**Infrastructure Products Australia**  
A CRH COMPANY

HEAD OFFICE: 1 REEVES COURT, BREAKWATER, VIC 3219, 1800 065 356  
ENGINEERING & DEVELOPMENT: 91 STRADBROKE STREET, HEATHWOOD, QLD 4110, (07) 3714 0444

DRAFTED DATE: 8/03/2024	DRAWN TO AS 1100 DO NOT SCALE FROM SHEET
DRAFTED BY: MLEE	
DATE LAST SAVED: 26/06/2024	
LAST SAVED BY: MLEE	

PART/PRODUCT # 50201726	QUOTE #	ORDER #
REINFORCEMENT COMPUTATION 50201726-PRO	PIT #	ITEM TYPE
CLIENT INFRASTRUCTURE PRODUCTS AUSTRALIA		
PROJECT DESC CATALOGUE PRODUCTS		
DRAWING NAME RISER CONCRETE 200mm TO SUIT 1100x900 PIT		
DRAWING # 50201726	PAGE 1 / 1	SHEET SIZE A3
SCALE 1:20		REV. <b>2</b>